



## Yuasa Scheda Tecnica

### Yuasa 12N5.5-3B - Conventional 12 Volt Batteria

#### Prestazione

Tensione	12V
Capacity (10-hour)	5.5Ah
Capacità (20 ore)	5.8Ah
CCA @ -18°C	55A

#### Dimensions ( $\pm 2\text{mm}$ )

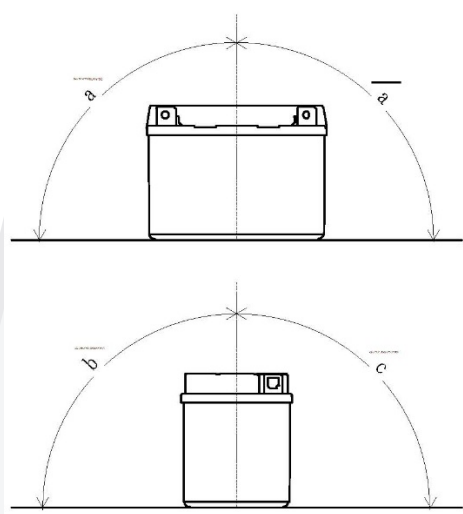
Lunghezza	135mm
Profondità	60mm
Altezza	130mm

#### Pesi e Misure

Peso medio con acido	2.5kg
Volume dell'acido	0.4l

#### Mounting Angle

Angle A	Vertical only
Angle B	-
Angle C	-

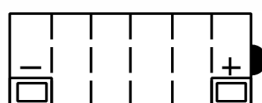


#### Tecnologia

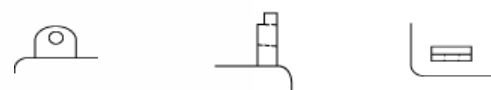
Tecnologia  
Separatore

Cast Sb/Sb  
Reinforcing fiber+Glass Fiber

#### Schema di Collegamento



#### Tipologia dei terminali - 6



Scheda tecnica prodotta su E&OE



## Yuasa Technical Data Sheet

### Yuasa 12N5.5-3B - Conventional 12 Volt Battery

#### Performance

Voltage	12V
Capacity (10-hour)	5.5Ah
Capacity (20-hour)	5.8Ah
CCA @ -18°C	55A

#### Dimensions (±2mm)

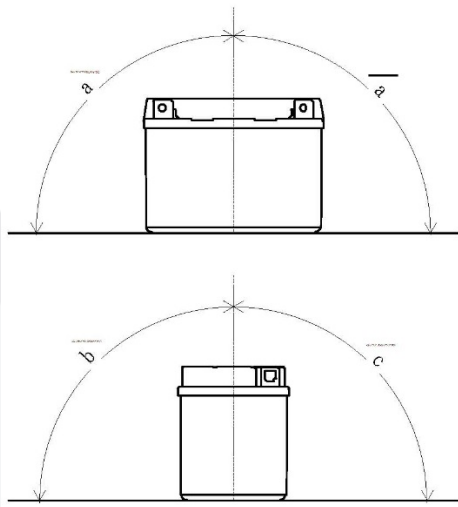
Length	135mm
Width	60mm
Height	130mm

#### Weights & Measures

Mean Weight with Acid	2.5kg
Acid Volume	0.4l

#### Mounting Angle

Angle A	Vertical only
Angle B	-
Angle C	-

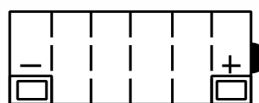


#### Technology

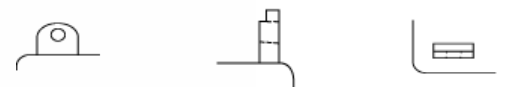
Technology  
Separator

Cast Sb/Sb  
Reinforcing fiber+Glass Fiber

#### Cell Assembly Layout



#### Terminal Type - 6



Data Sheet generated on 10/03/2017 - E&OE