



## Yuasa Scheda Tecnica

### Yuasa 12N5.5-4B - Conventional 12 Volt Batteria

#### Prestazione

Tensione	12V
Capacity (10-hour)	5.5Ah
Capacità (20 ore)	5.8Ah
CCA @ -18°C	55A

#### Dimensions (±2mm)

Lunghezza	137mm
Profondità	61mm
Altezza	131mm

#### Pesi e Misure

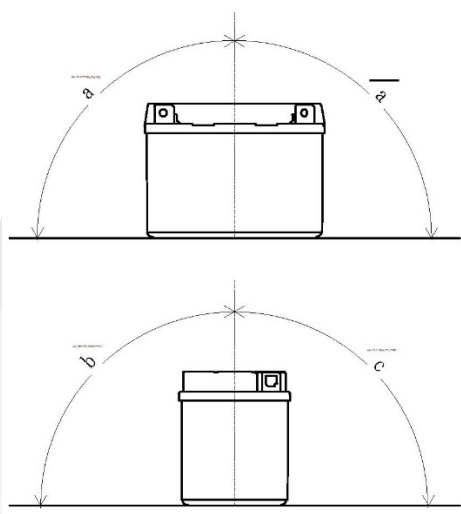
Peso medio con acido	2.5kg
Volume dell'acido	0.4l

#### Mounting Angle

Angle A	Vertical only
Angle B	-
Angle C	-



For Illustration Purposes Only

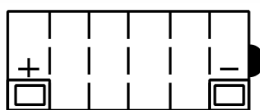


#### Tecnologia

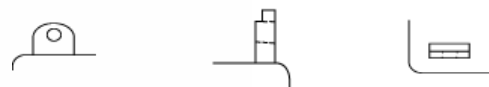
Tecnologia  
Separatore

Cast Sb/Sb  
Reinforcing fiber+Glass Fiber

#### Schema di Collegamento



#### Tipologia dei terminali - 6



Scheda tecnica prodotta su E&OE



## Yuasa Technical Data Sheet

### Yuasa 12N5.5-4B - Conventional 12 Volt Battery

#### Performance

Voltage	12V
Capacity (10-hour)	5.5Ah
Capacity (20-hour)	5.8Ah
CCA @ -18°C	55A

#### Dimensions (±2mm)

Length	137mm
Width	61mm
Height	131mm

#### Weights & Measures

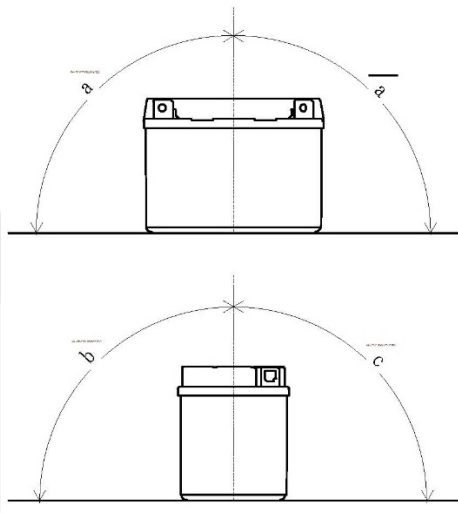
Mean Weight with Acid	2.5kg
Acid Volume	0.4l

#### Mounting Angle

Angle A	Vertical only
Angle B	-
Angle C	-



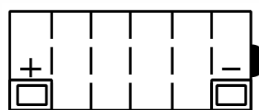
For Illustration Purposes Only



#### Technology

Technology	Cast Sb/Sb
Separator	Reinforcing fiber+Glass Fiber

#### Cell Assembly Layout



#### Terminal Type - 6



Data Sheet generated on 09/03/2017 - E&OE