

PREMIUM QUALITY

**Deka**®

**SPORTS  
POWER**®

**ETX**™

**ABSORBED GLASS MAT  
BATTERIES**



**Ideal for ATVs,  
Motorcycles,  
Personal Watercraft  
& Snowmobiles**

The **Deka Sports Power® ETX™ Battery** was designed for more than performance, it was designed for the enthusiast. Completely spillproof and season-to-season reliability means frequent replacement and high maintenance are over! The absorbed glass mat (AGM) technology increases power while improving rider and environmental safety.

The key to this technology is the highly porous microfiber separators which completely absorb and trap the electrolyte. Molded top and side connection terminals provide versatility, increased strength and durability.

The **Deka Sports Power® ETX™ Battery** provides the most advanced power and value in the industry, so your customers can enjoy their leisure time, worry free.



**WORRY FREE...**

- No vent tube
- No acid leaks to cause terminal corrosion
- Withstands damaging effects of vibration
- Environmentally friendly, spillproof design

**MAINTENANCE FREE...**

- No filling with acid
- No adding water
- Factory activated
- Low discharge rates for off season storage

QUALITY SYSTEM  
CERTIFIED  
**ISO 9001**  
**ISO/TS 16949**  
ENVIRONMENTAL  
SYSTEM CERTIFIED  
**ISO 14001**

**FACTORY CHARGED.  
INSTALL IT AND RIDE.**



Premium quality, specially designed Absorbed Glass Mat batteries are manufactured under strict quality controls to assure superior performance and long life. The AGM design allows easy installation without the worry of acid spills and damage to equipment.

# SPORTS POWER<sup>®</sup> ETX<sup>™</sup>

## ABSORBED GLASS MAT TECHNOLOGY

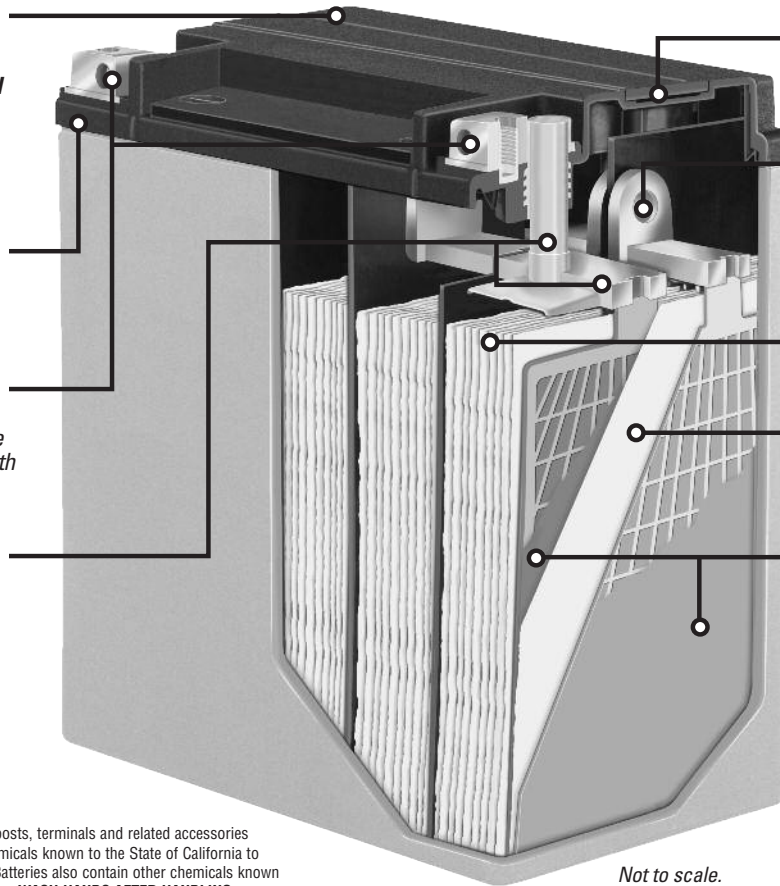
**FACTORY SEALED, FACTORY ACTIVATED, PREMIUM MAINTENANCE-FREE DESIGN**  
eliminates damage from acid spills and corrosion. Electrically charged for maximum performance.

**HEAT SEALED COVER**  
eliminates electrolyte leakage and improves reliability.

**MOLDED TOP AND SIDE CONNECTION TERMINAL**  
patented design provides ease of installation, increased strength and durability.

**FORTIFIED POSTS, STRAPS AND WELDS**  
improves vibration resistance for long life and performance.

**STAINLESS STEEL TERMINAL BOLTS**  
(not shown) eliminate rust and corrosion.



**UNIQUE, LEAKPROOF PRESSURIZED VALVE SYSTEM**  
is engineered for safety and long life. Retards dry-out.

**LARGER THROUGH-PARTITION WELDS**  
increase power output and durability.

**ABSORBED, ULTRA-PURE DEMINERALIZED ELECTROLYTE**  
improves service life and off-season storage.

**ENHANCED ELECTROLYTE SUSPENSION SYSTEM**  
retain acid, protect plates, ensuring long life.

**POWER-PERFORM<sup>™</sup> POSITIVE AND NEGATIVE, FULL-FRAME PLATES**  
provide the highest cranking amps and the lowest self-discharge rates for off-season storage.

**POSITIVE TERMINAL CAP**  
(not shown) protects against short circuits and sparks during transport and storage.

Not to scale.

**PROPOSITION 65 WARNING:** Battery posts, terminals and related accessories contain lead and lead compounds, chemicals known to the State of California to cause cancer and reproductive harm. Batteries also contain other chemicals known to the State of California to cause cancer. **WASH HANDS AFTER HANDLING.**

PART NO.	FOOT-NOTES	CCA @ 0°F	10 AH Rating	APPROX. WT.		LENGTH		WIDTH		HEIGHT		Replaces these part numbers:
				lbs.	kg	in.	mm	in.	mm	in.	mm	
ETX9	38,39	120	8	7.2	3.2	5 1/2	150	3 1/16	88	4 3/16	106	YTX9, YTX9-BS
ETX12	38,39	180	10	9.4	4.3	5 1/2	150	3 1/16	88	5 1/2	130	YTX12, YTX12-BS, YB12B-B2
ETX14	38,39,42,75	220	12	12.0	5.4	5 1/2	150	3 1/16	88	5 1/2	145	YTX14, YTX14-BS, YTX16-BS, YTX16-BS-1, GYZ16H, YB16B-A, YB16B-A1, KMX14-BS
ETX14L	38,39	220	12	12.0	5.4	5 1/2	150	3 1/16	88	5 3/4	145	YTX14L, YTX14L-BS
ETX15	38,39,42,76	220	14	11.3	5.1	5 1/2	134	3 1/2	90	6 1/16	166	YTX14AH, YTX14AH-BS, YB14-A2, YB14-B2, YB14A-A1, YB14A-A2
ETX15L	38,39	220	14	11.3	5.1	5 1/2	134	3 1/2	90	6 1/16	166	YTX14AH, YTX14AH-BS, YB14L-A1, YB14L-A2, YB14L-B2, 12N14-3A, SYB14L-A2, SYB14L-B2
ETX16	38,39,42,74	325	19	17.0	7.7	6 1/2	175	4	100	6 1/2	155	YB16-B-CX, YB16-B, YB16C-B, Y60-N24-A56
ETX16L	38,39,42,74	325	19	17.0	7.7	6 1/2	175	4	100	6 1/2	155	YB16HL-A-CX, YB16L-B, YB16CL-B, Y60-N24AL-B, 12N16-3B, 12N24-3, 12N24-3A, SYB16L-B
ETX18L	38,39	340	20	18.0	8.2	8 1/2	206	3 3/16	91	6 1/2	163	YTX24HL, YTX24HL-BS, Y50-N18L-A-CX, Y50-N18L-A-LM, Y50-N18L-A, Y50-N18L-A3, SY50-N18L-AT
ETX20L	38,39	310	17.5	15.5	7.0	6 1/2	175	3 1/16	88	6 1/2	155	YTX20L, YTX20L-BS, YTX20HL, YTX20HL-BS, YTX20HL-BS-PW, GYZ20L, YB18L-A
ETX30L	38,39	400	26	21.7	9.8	6 1/2	168	5 1/16	131	6 1/2	176	YIX30L, YB30LB
ETX30LA	38,39,78	400	26	21.7	9.8	6 1/2	168	5 1/16	131	7 1/4	197	YIX30L-BS-PW, YIX30L-PS, YB30CL-B

All batteries have a black cover and gray case.

**FOOTNOTES:** 38 – “Non-spillable” defined by DOT (Department of Transportation) definitions

39 – “Non-spillable” defined by ICAO (Int’l Comm. Airline Org.) and IATA (Int’l Airline Transport Assoc.) definitions  
42 – Height without adapter  
74 – Shipped with 20mm adapter

75 – Shipped with two (2) 17mm adapters  
76 – Shipped with 10mm adapter  
78 – Shipped with 22mm height adapter



East Penn Manufacturing Co. Lyon Station, PA 19536-0147 Phone: 610-682-6361 Fax: 610-682-4781 [www.dekabatteries.com](http://www.dekabatteries.com)

